

7-331 Quarter-Turn - Firefighting

Tool operable (Fireman's ax), Stainless Steel

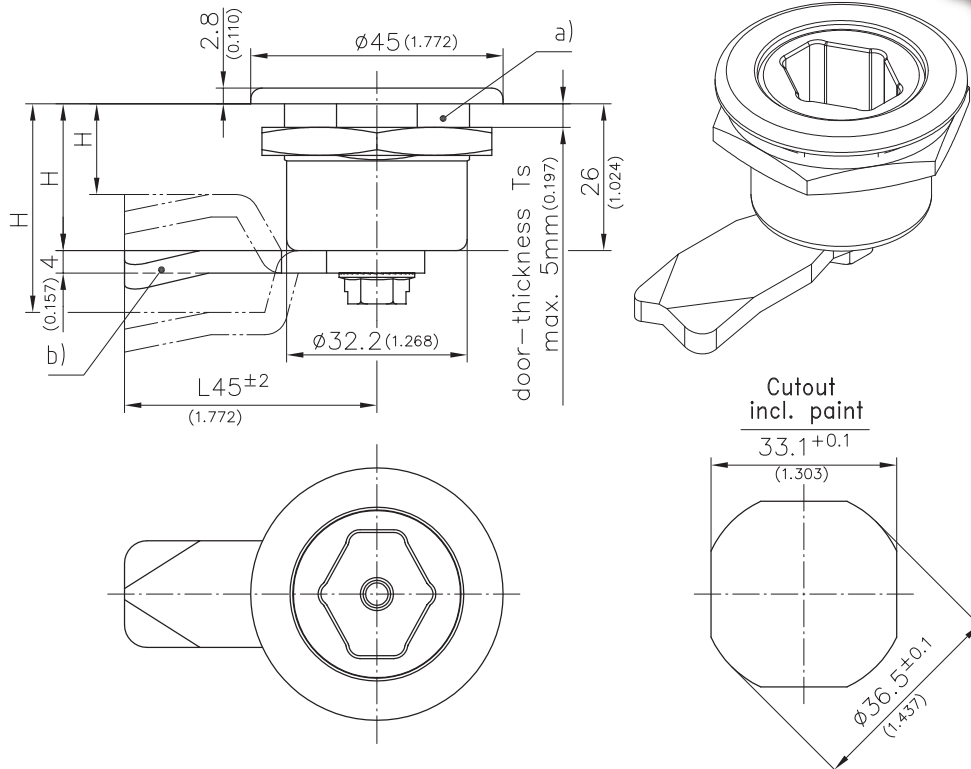


Product Notes:

- Quarter-Turn is operable with both the triangular adapter on the fireman's axe (DIN 14924) and the hydrant spanner A or B (DIN 3223)
- Properties of material AISI 316 Ti: the titanium increases the corrosion resistance, particularly the intercrystal-line corrosion at the grain boundaries
- RH and LH application

Material:

- **Housing, insert, serrated screw and nut:** Stainless Steel AISI 316Ti
- **Spring washer:** Stainless Steel AISI 316L
- **Cam:** Stainless Steel AISI 304



		Part No.
a)	Quarter-Turn - Firefighting	290-9401*
b)	Cams L45mm / 1.772	
	H in mm / inch	Part No.
	14 / 0.551	200-0506
	16 / 0.630	200-0508
	18 / 0.709	200-0510
	22 / 0.866	200-0514
	24 / 0.945	200-0516
	26 / 1.024	200-0518
	28 / 1.102	200-0520
	30 / 1.181	200-0522
	32 / 1.260	200-0524
	34 / 1.339	200-0526
	36 / 1.417	200-0528
	40 / 1.575	200-0532
	58 / 2.283	200-0550
c)	Assembling of cam, with O-ring	200-0002

*Price and delivery time on request.